



**PHILIPS**

Solar Lighting

SunStay

# SunStay

All in one solar street light

# SunStay

All in one solar street light

Integrated solar street light with Lithium Ferro Phosphate battery, solar panel, charger and PIR sensor built into the luminaire. Pressure die cast aluminium housing for sturdiness and long life. Specially designed pole mounting bracket allows different tilt angles, lateral and pole top mounting. SunStay hybrid ensures zero blackout nights throughout the year.



#### Easy to install

All in one construction, adjustable tilt angles of 0 to 15 degrees, post top and lateral mounting positions, no cable trenching required



#### Long Lifetime

Sturdy Aluminium die cast construction and LiFePO4 battery.



#### Suitable for harsh environment

Water, dust and corrosion resistant. withstands extreme weather conditions, IP65 certified, 1000hrs salt spray tested.



#### Solar hybrid

Can be retrofitted on existing 220V AC infrastructure and poles.



#### Smart PIR motion sensor

Built in PIR sensor can detect people's motion to save energy by light dimming.



#### High efficacy

High luminous efficacy of 175 lm/Watt to maximize battery performance.



#### Smart

Self diagnosis with LED indicators of battery charging and discharging



#### Strong seasonal resilience

Smart hybrid charging from AC which ensures full battery capacity everyday.

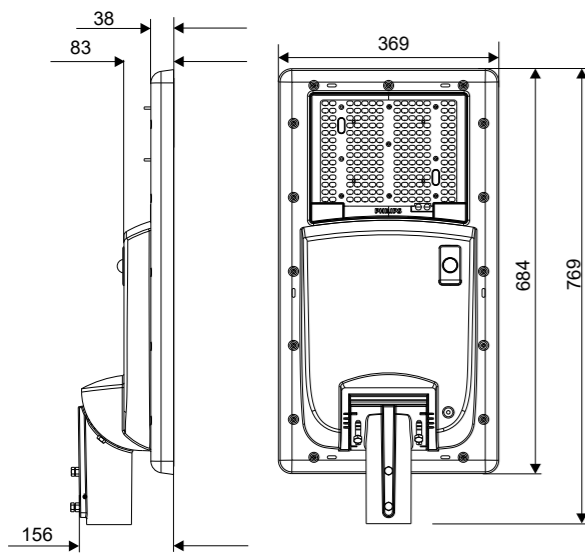


## Applications

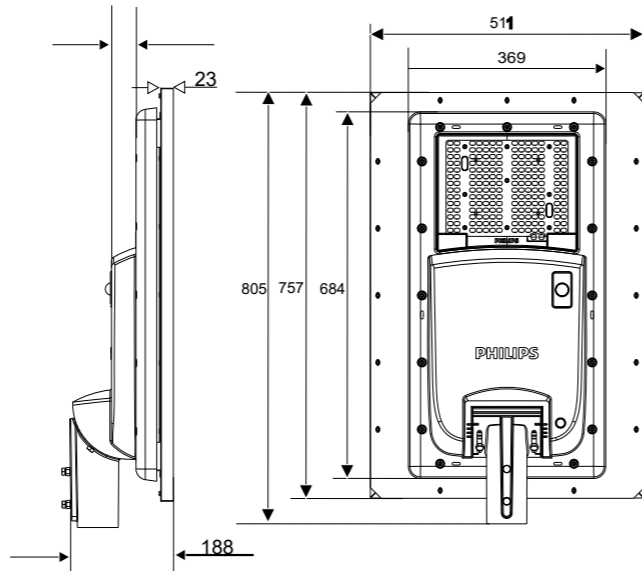
- ..... Airports
- ..... Military establishments
- ..... Industries and schools
- ..... Class A and B roads
- ..... Rural areas
- ..... Parks and pedestrian pathways
- ..... Water fronts
- ..... Corporate campuses and plazas



## Product range and dimensions

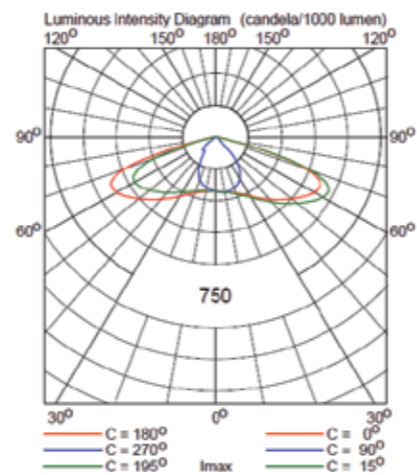
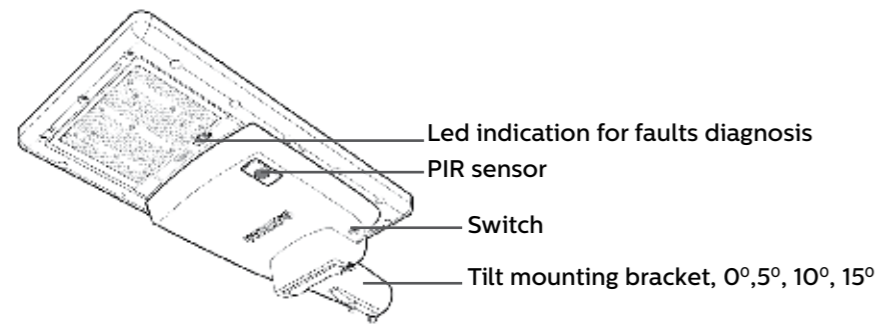


BRP710 - 2000 and 3000 lm



BRP710-4500 and 6000lm

## Product structure and light distribution



## Installation guide

1 Take the product out of the packing box.  
 Labels: Shrink Wrap, Protective Cover, Luminaire, Mounting Bracket, 3 Core cable (Hybrid only).  
 Note: Remove Shrink Wrap and Protective cover before installation.

2 Pass the wire through the pole and mount the luminaire (Hybrid only)

3 Mount the luminaire with the Pole.  
 Labels: Horizontal Mounting, Vertical Mounting.  
 Note: Tightened the bolts with torque of 8Nm.  
 Pole Dia: 48 to 60mm

4 For Vertical Mounting installation Unscrew the Screw and remove the pole Mounting Bracket and assemble it as shown in Fig. B.  
 Labels: Fig. A, Fig. B

5 Below mentioned inclinations are possible. 0°, 5°, 10°, 15°.

6 For accurate angle positioning, marks are made over the clamping position of the luminaire. Match the pole mounting piece marking with luminaire marking.  
 Labels: 15°, 10°, 5°, 0°

7 After installation and during commissioning of luminaire, first press the switch to switch it ON and then connect 230V AC input to the luminaire (Hybrid only).  
 Label: Switch

8 Solar panel senses darkness (minimum 10 seconds continuous darkness) and it switches on during night automatically.  
 Labels: Moon, Stars

9 PIR sensor detects human body movement to change lighting levels as per dimming profile.  
 Label: Human silhouette

10 For self diagnosis, LED indications displays the battery condition.  
 Labels: LED indication, Battery level indicators

11 The most adapting areas are around the equator.  
 Labels: World map, Luminaire

## Technical specifications

Specifications	2000lm		3000lm		4500lm		6000lm
	Off-grid	Hybrid	Off-grid	Hybrid	Off-grid	Hybrid	Hybrid
Diming profile*	V1, V3, V4	V3,V5	V1, V2	V3,V5	V1,V2	V3,V5	V6
System wattage	12V DC, 11 watts		12V DC, 17 Watts		12DC, 26 Watts		12DC, 35 Watts
System lumen output	2000		3000		4500		6000
Solar panel module capacity	28W/35W	28W	35W		60W		60W
Battery capacity	174Wh		256Wh		384Wh		
PIR range	5mtrs above the ground			6mtrs above the ground			
Color temperature	3000K, 4000K, 5700K						
System efficacy	175lm/W						
Battery type	Lithium Ferro Phosphate LiFePo4						
Charging electronics	Integrated MPPT charger with driver						
Driver efficiency	>90%						
IP Rating	IP65						
Housing	Aluminium pressure die cast with anti-corrosive coating						
Front cover	UV stablized polycarbonate cover						
CRI	>70						
Switch for On-Off	Provided						
Charging and discharging indicator	Provided						
Mounting	Horizontal and vertical pole mounting options						
Adjustable tilt angle	0-15 degree adjustable						
Outer mounting diameter	48-60mm						
Operating humidity	up to 95%						

### \*Dimming profile parameters

V1: Default	<b>First 5 hours from dusk:</b> <b>Next 5 hours:</b> <b>Next (untill dawn):</b>	Sensor enabled, luminaire at 30% brightness if presence not detected. Luminaire at 100% brightness if presence detected Sensor disabled, luminaire at 30% brightness Sensor enabled, luminaire at 30% brightness if presence not detected. Luminaire at 100% brightness if presence detected
V2: FD30	<b>First 5 hours from dusk:</b> <b>Next ( untill dawn):</b>	Sensor not installed. luminaire at 100% brightness Sensor not installed, Fixed 30% brightness
V3: FDIM50	<b>First 5 hours from dusk:</b> <b>Next ( untill dawn):</b>	Sensor not installed. luminaire at 100% brightness Sensor not installed, Luminaire at 50% brightness
V4: PDIM50	<b>First 5 hours from dusk:</b> <b>Next 5 hours:</b> <b>Next (untill dawn):</b>	Sensor enabled, luminaire at 50% brightness if presence not detected. Luminaire at 100% brightness if presence detected Sensor disabled, luminaire at 50% brightness Sensor enabled, luminaire at 50% brightness if presence not detected. Luminaire at 100% brightness if presence detected
V5: No dimming	<b>Dusk to dawn:</b>	Sensor not installed, Luminaire at 100% brightness
V6: Hybrid 6k	<b>First 4 hours from dusk:</b> <b>Next ( untill dawn):</b>	Sensor not installed. luminaire at 100% brightness Sensor not installed, Luminaire at 20% brightness

